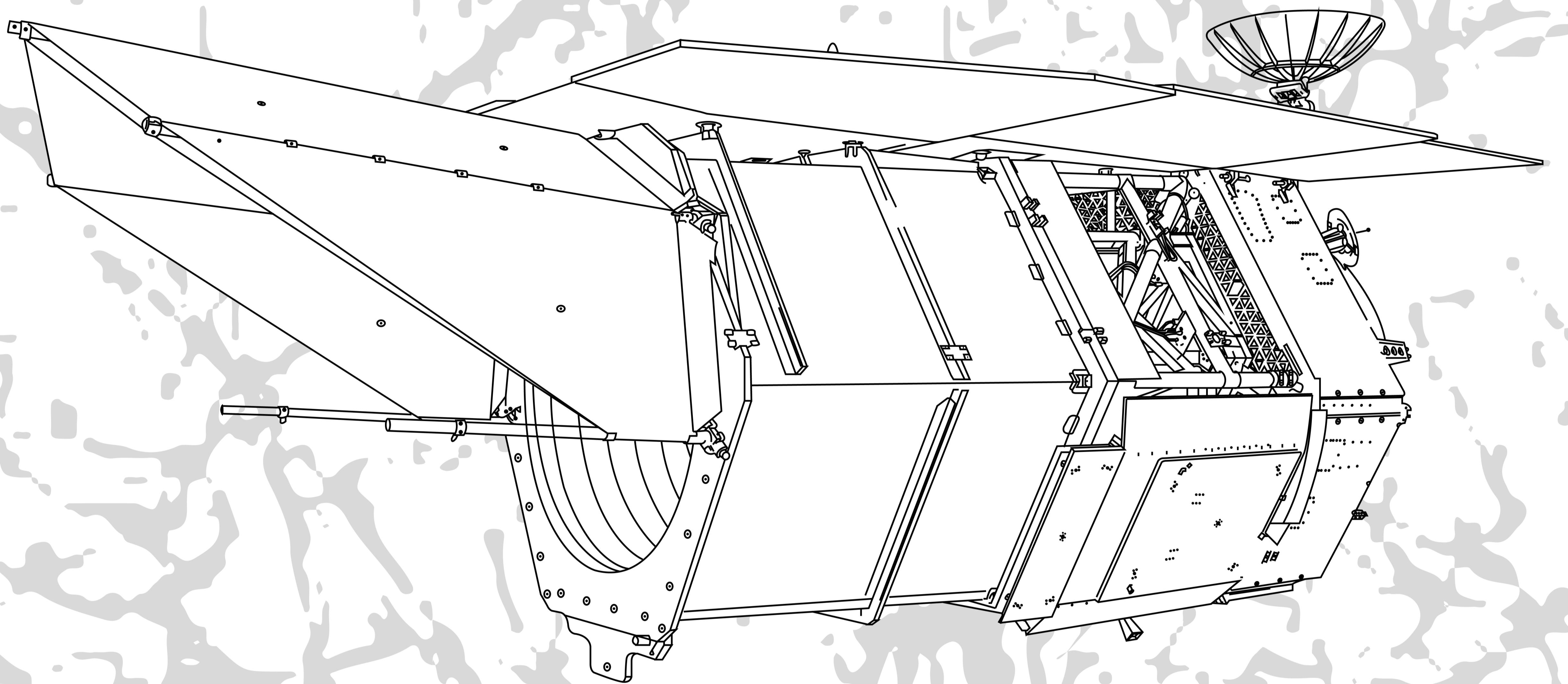




Nancy Grace Roman is known to many as the "Mother of Hubble" for her foundational role in the observatory's planning and program structure, paving the way for missions like the Roman Space Telescope.



The Roman Space Telescope is a NASA observatory designed to unravel the secrets of dark energy and dark matter, search for and image exoplanets, and explore many topics in infrared astrophysics.

